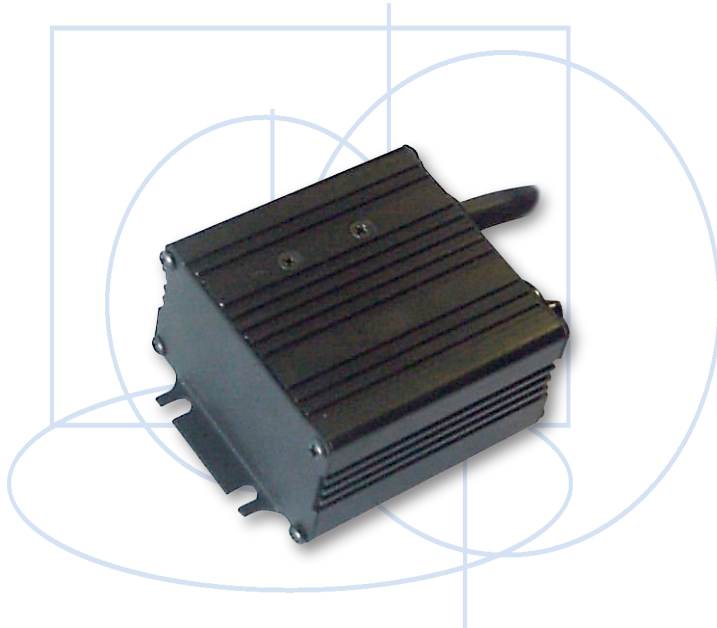


PERMANENT MAGNET MOTOR SPEED CONTROLLER



MODEL 1224

CURTIS



FEATURES

Smooth and Secure Control

- Single direction variable speed control.
- Economy-mode provides two distinct speed control modes (indoor / outdoor).
- Internal main relay provides secure power-off and reverse battery polarity protection.
- Throttle Potentiometer fault protection ensures the 1224 controller shuts off in the event of an open circuit fault in the throttle or its wiring.
- Sleep Mode switches the main contactor off if no throttle is applied for a period of time in order to save battery power.
- HPD (High Pedal Disable) prevents the 1224 controller from operating even if the keyswitch is turned on while the throttle is applied.
- Proprietary algorithms help prevent gearbox wear while providing smooth starts.
- Rugged sealed housing designed to meet IP54 environment protection. (Protected against dust, limited ingress (no harmful deposit) and against water sprayed from all directions (limited ingress permitted).
- Complete flying lead harness for ease of installation.

DESCRIPTION

The Curtis Model 1224 Motor Speed Controller provides precise and smooth control of Permanent Magnet drive motors for battery powered vehicles.

APPLICATION

Ideal for single direction Electric golf caddies and pedestrian aided wheelchairs. The simplicity of Curtis model 1224 allows ease of installation to all applications.

WARRANTY

Two Year Limited Warranty
(see terms of sale for specifics)

Regulatory Compliance

- Meets and exceeds ISO7176 regulations.
- Controller power circuits and microprocessor software are continuously monitored for proper operation.
- The 1224 will ensure protection against both Over voltage and Under voltage conditions.
- Operating temperature range -20°C to $+45^{\circ}\text{C}$
Storage temperature range -25°C to $+75^{\circ}\text{C}$

CURTIS INSTRUMENTS, INC.

200 KISCO AVENUE
MT. KISCO, NY 10549 USA
TEL (914) 666-2971
FAX (914) 666-2188

235 EAST AIRWAY BLVD.
LIVERMORE, CA 94551 USA
TEL (925) 961-1088
FAX (925) 961-1099

CURTIS INSTRUMENTS, (UK) LTD.

5 UPPER PRIORY STREET
NORTHAMPTON NN1 2PT, ENGLAND
TEL 44 (0) 1604-629755
FAX 44 (0) 1604-629876

CURTIS INSTRUMENTS INDIA PRIVATE LTD.

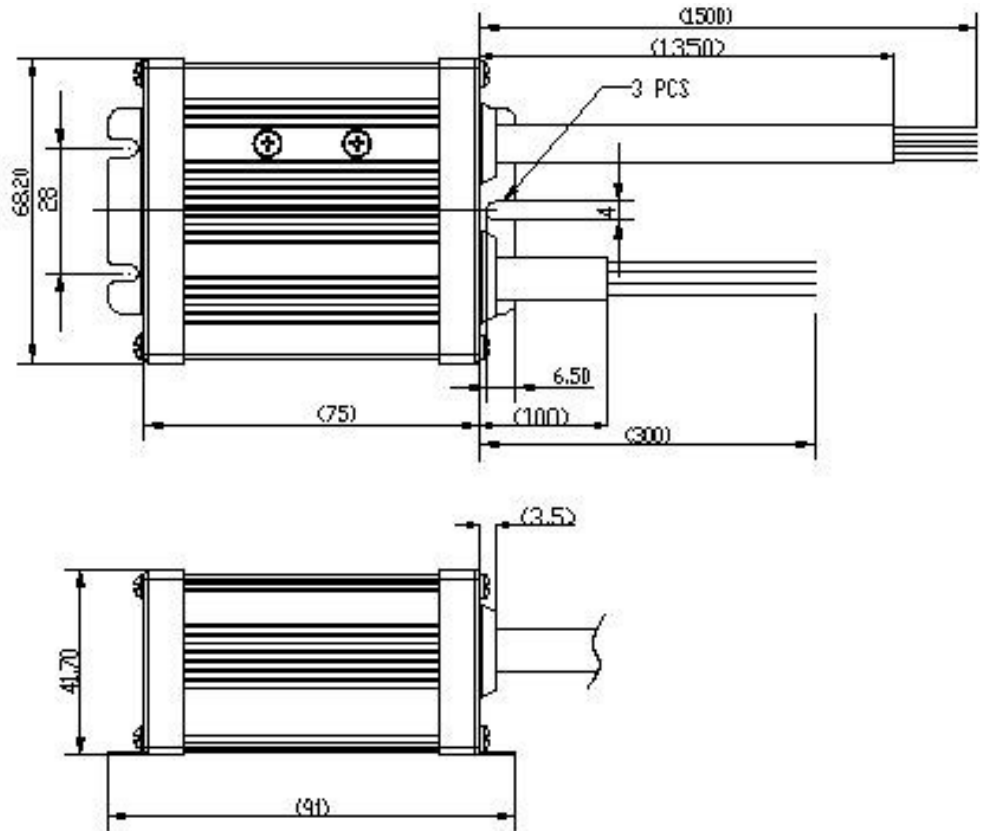
1199, GHOLE ROAD
PUNE 411004, INDIA
TEL 91 (0) 20-5531288
FAX 91 (0) 20-5539192

MODEL 1224

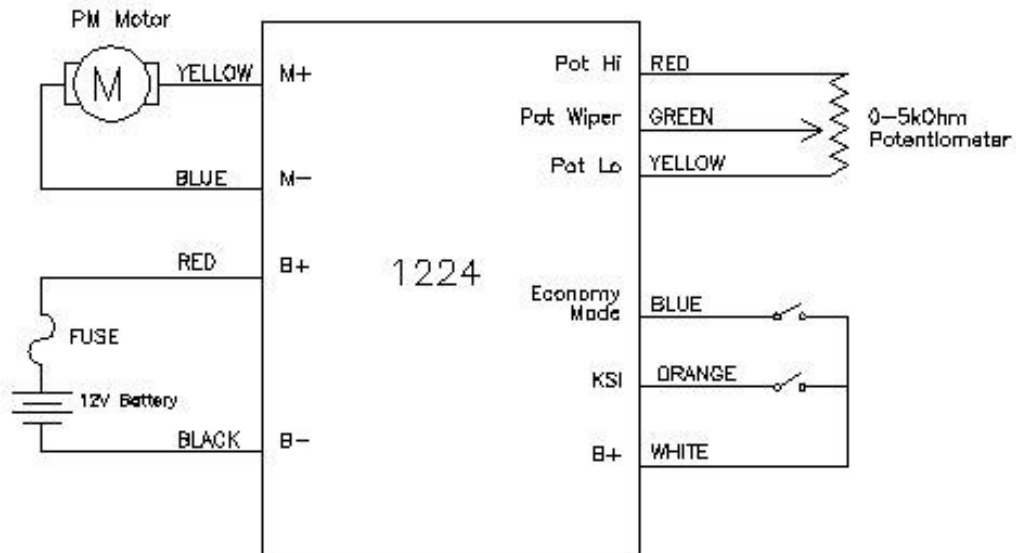
MODEL CHART

Model No.	Voltage Rating (volts)	Drive Current Rating		
		Peak (amps)	2 Mins (amps)	1 Hour (amps)
1224-1201	12	40	30	15

DIMENSIONS



TYPICAL WIRING:



CURTIS is a trademark of Curtis Instruments, Inc.

Specifications subject to change without notice.

©Curtis Instruments, Inc. 2005

50136 RevA 6/05