



STANDARD CONTROLLER FEATURES

- ◆ High Frequency – silent operation
- ◆ Regenerative braking
- ◆ Choice of displays – standard or full feature
- ◆ **CAN** (Controller Area Network) communications
- ◆ **RS232** communications
- ◆ Integrated logic unit
- ◆ Diagnostic LED



Low to Medium Power SEM Applications

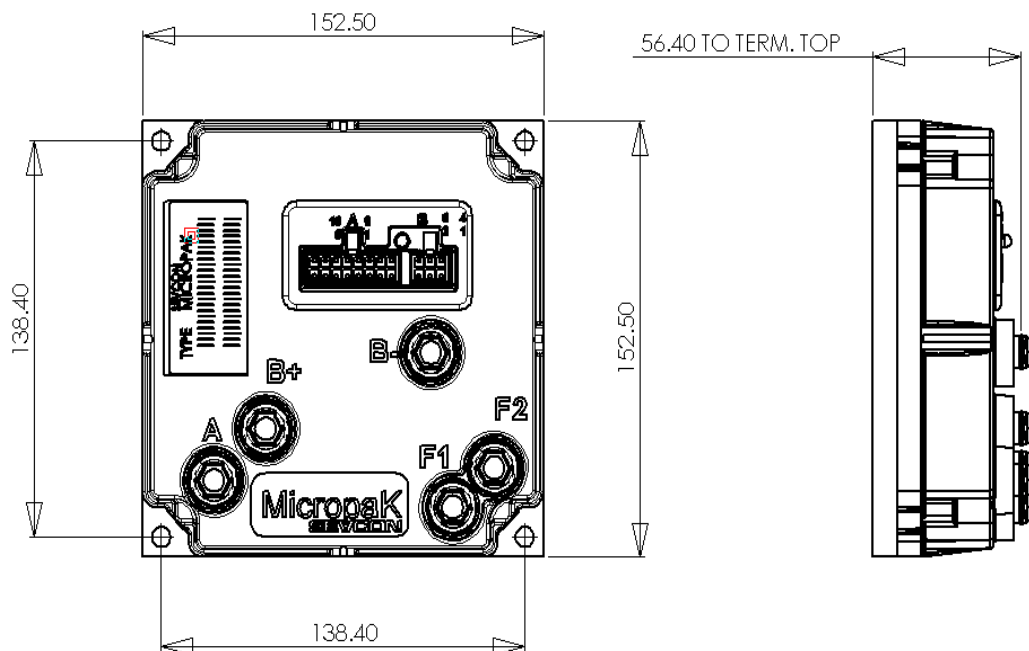
Utilising the same innovative design techniques as the PowerpaK, MicropaK controllers offer an ultra compact solution to low power applications. The MicropaK has an identical footprint to the PowerpaK but with a reduced profile ideally suited to applications in smaller machines where space is at a premium

The primary benefits of the MicropaK and Separately Excited Motor (SEM) are as follows: -

- ◆ **Contactless Direction Changing** – eliminating delays and the need for contactor maintenance.
- ◆ **Inherent Regen Braking** – this is an intrinsic characteristic of the SEM. Regen braking on a conventional series motor typically requires additional electronic circuitry and solenoid contactor.
- ◆ **Inherent Field Weakening** – again a characteristic of the separately excited motor. Conventional systems require an energy inefficient power resistor and contactor to provide this feature.
- ◆ **Built in Speed Control** – separately excited motors have an inherent speed control characteristic, which is difficult to emulate on a series motor without the addition of extra circuitry, and costly speed probes, sensors or tacho generators.

Micropak™ SEVCON

SEVCON



Sevcon Limited
Kingsway
Gateshead, NE11 0QA
England
Tel: +44 191 497 9000
Fax: +44 191 482 4223
Email: sales@sevcon.com

Sevcon SA
12 Rue Jean Poulmarch
95100 Argenteuil
France
Tel: +33 1 34 10 95 45
Fax: +33 1 34 10 61 38
Email: ggsevcon@world-net.net

Sevcon, Inc.
40 North Avenue
Burlington, MA 01803-3391
USA
Tel: +1 781 272 3612
Fax: +1 781 272 1953
Email: sales@sevcon-us.com

Sevcon Japan
1-22-10-303
Setagaya Daita
Setagaya-Ku
Tokyo
Japan, 155-0022
Tel: +81 3 5430 8001
Fax: +81 3 5430 4001
Email: sevcon.japan@sevcon.com

Sevcon Asia Limited
4FL, Eun-Hae Building
463-1, Sahng-dong
Wonmee-Gu, Bucheon City
Kyunggi-Do
420-030, Korea
Tel: +82 32 215 5070
Fax: +82 32 215 8027
Email: sevcon.asia@sevcon.com

Web: www.sevcon.com

Micropak SEM Electrical Specification

Voltage	Armature Current 1 Minute	Armature Current 1 Hour	Field Current
24/36V	180A	75A	30A
24/36V	270A	100A	30A
36/48V	270A	100A	30A

Micropak SEM Outline Specification

Enclosure protected to IP66
Vibration 6G, 40 – 200Hz, 1 hour in x, y, and z planes
Operating temperature – 30°C to +40°C
Storage temperature – 40°C to +70°C
Frequency 16KHz
Dimensions 152.5 (L) * 152.5 (W) * 56.4 (H) mm

This product bulletin is for outline specification only. For specific application data; the full engineering specifications available from Sevcon should be used. Sevcon is constantly striving to improve its products and reserves the right to alter specifications without notice

Rev. 01 Jan'00

